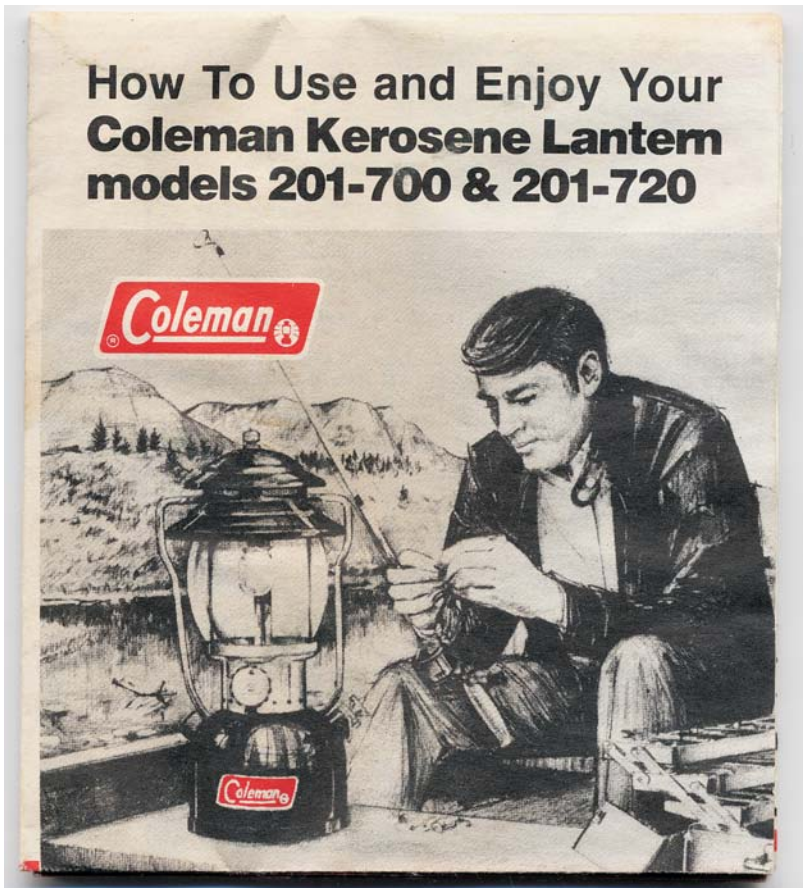


**How To Use and Enjoy Your
Coleman Kerosene Lantern
models 201-700 & 201-720**





1 How To Use and Enjoy Your Coleman Kerosene Lantern models 201-700 & 201-720

WARNING:

THIS APPLIANCE CONSUMES OXYGEN. PROVIDE AMPLE VENTILATION. ADDITIONAL VENTILATION MUST BE PROVIDED FOR PERSONS AND OTHER FUEL BURNING APPLIANCES OCCUPYING THE SAME ENCLOSED AREA.

Cautions:

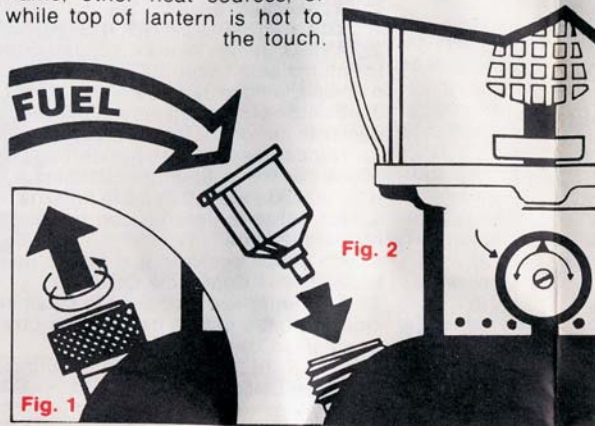
1. READ THESE INSTRUCTIONS CAREFULLY:

2. Never loosen or remove fuel cap while lantern is lighted or near open flame, (including pilot lights), excessive heat or while top of lantern is hot to touch.
3. Store fuel in a clean, properly marked, closed metal container away from open flame (including pilot lights) or excessive heat.
4. Never allow tents, sleeping bags, clothing or other combustible materials to come within two feet of the top and one foot on all sides of the lantern.
5. Do not operate lantern if mantle has a hole in it.
6. Do not use any device or part not expressly approved by The Coleman Company, Inc.
7. This lantern is designed as a lighting device only. Do not use in any manner not expressly approved by The Coleman Company, Inc. (such as cover with a bucket.)
8. Do not adjust light output with cleaning needle lever.
9. **KEEP OUT OF THE REACH OF CHILDREN.**

2 To Fill Tank

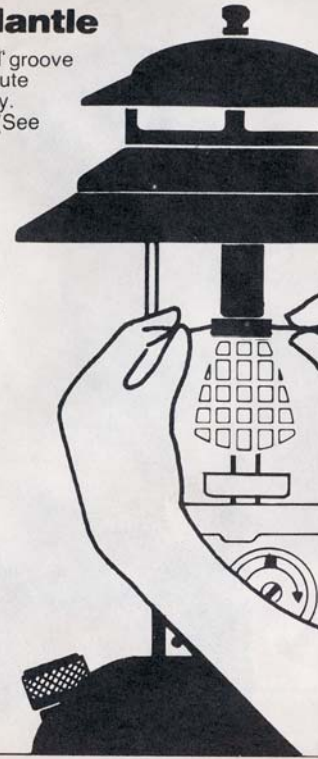
1. Close valve wheel firmly by turning to right. (Fig. 2)
2. Close pump knob firmly by turning to the right. (Fig. 4)
3. Unscrew fuel cap. (Fig. 1)
4. Lantern must be in level position.
5. Use a funnel and fill only with clean fresh white Kerosene.
6. Replace fuel cap. Tighten firmly to right **WIPE OFF ANY SPILLED FUEL.**

CAUTION: Never loosen or remove fuel cap while lantern is lighted or near open flame, other heat sources, or while top of lantern is hot to the touch.



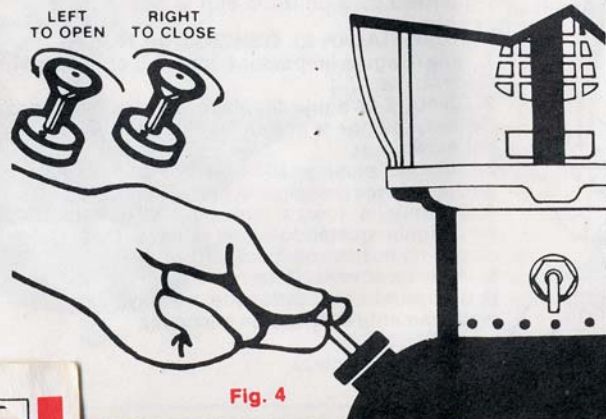
3 To Tie On Mantle

1. Tie mantles around groove in burner caps. Distribute folds of mantles evenly. Cut off surplus string (See drawing).
2. Light bottom of mantles evenly. Burn until nothing but white ash remains.
3. Allow mantles to cool before lighting lantern. **ALWAYS USE GENUINE COLEMAN MANTLES #21A.**
4. Assemble lantern.



4 To Pump

1. Valve wheel and fuel cap must be closed firmly.
2. **TEST PUMP.** Close pump knob firmly. Place thumb over hole in pump knob and pump. If you feel little or no resistance, oil or replace pump leather. If pump resists, go on to the next step.
3. Open pump knob one complete turn left.
4. Place thumb over hole in pump knob and pump 35 full strokes. If tank is not full, more pump strokes required. **GOOD AIR PRESSURE IS IMPORTANT.**
5. **CLOSE PUMP KNOB FIRMLY TO RIGHT.**



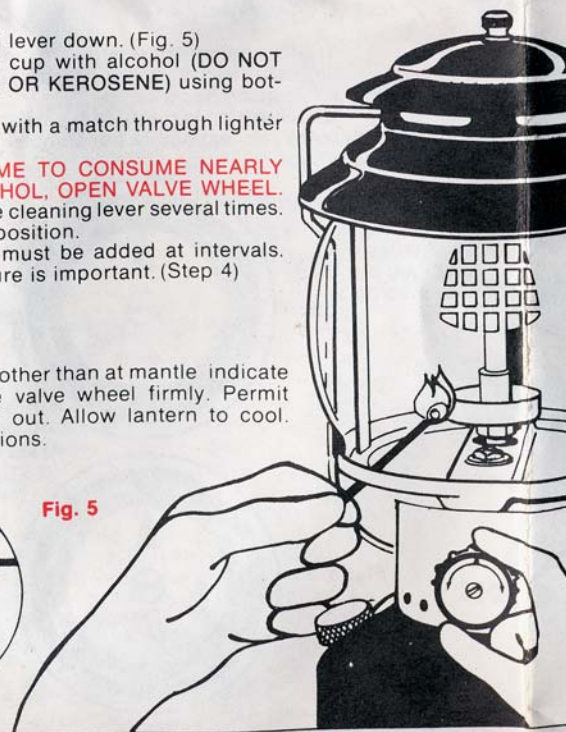
5 To Light

1. Turn cleaning lever down. (Fig. 5)
2. Fill preheater cup with alcohol (DO NOT USE GASOLINE OR KEROSENE) using bottle provided.
3. Light alcohol with a match through lighter hole.
4. **ALLOW FLAME TO CONSUME NEARLY ALL THE ALCOHOL, OPEN VALVE WHEEL.**
5. Rapidly rotate cleaning lever several times. Leave in down position.
6. Air pressure must be added at intervals. Good air pressure is important. (Step 4)

NOTE: Flames other than at mantle indicate flooding. Close valve wheel firmly. Permit flames to burn out. Allow lantern to cool. Review instructions.



Fig. 5

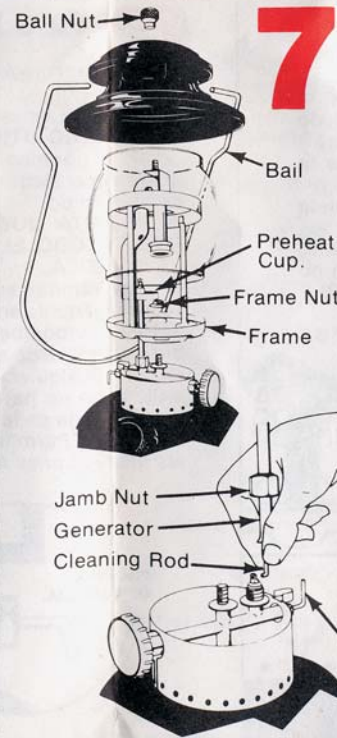


6 To Turn Off

1. Rapidly rotate cleaning lever several times. Leave in down position.
 2. Close valve wheel firmly. Light will dim and go out in a few seconds.
- NOTE:** Never let light pulsate or go out for lack of pressure.



Fig. 6



7 To Replace Generator

TO REMOVE OLD GENERATOR

1. Close valve wheel firmly.
2. Remove bail. Remove ball nut at top of lantern. Lift off top and remove globe.
3. Remove frame nut and lift off frame and preheat cup.
4. Turn cleaning lever up.
5. Unscrew jamb nut at lower end of generator.
6. Lift generator and unhook cleaning rod.
7. Remove jamb nut from old generator and save for use with new generator.

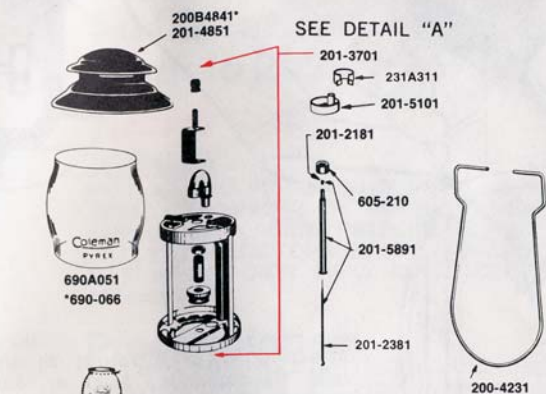
TO INSTALL NEW GENERATOR

1. Pull cleaning rod down about 1".
2. Place cleaning rod between thumb and forefinger and hook cleaning rod in hole of eccentric block.
3. Place generator in upright position and turn cleaning lever down.
4. Slide jamb nut over generator and tighten wrench tight. **CAUTION:** Be careful not to strip threads.
5. Reassemble lantern.
6. Visually check for leak immediately after lighting.

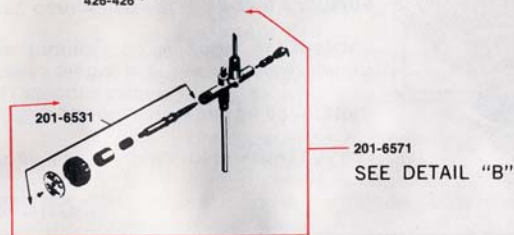
Parts List for Coleman Lantern models 201-700 & 201-720

PART NO.	DESCRIPTION	PART NO.	DESCRIPTION
21A3101	(21A) Mantle	220B175	Self Tapping Screw
200-4231	Bail	220C1401	Fuel Cap
200-4561	Lock Nut	231A311	Clip, Preheater Cup
200-6381	Check Valve & Stem	242-1071	Push-on Nut
200-6631	Ventilator Bracket	242-3041	Eccentric Block
200A3261	"U" Tube and Venturi	242-3231	Burner Cap & Screen
200A6621	Burner Frame Ass'y.	242-6201	Valve Stem Packing
201-1651	Fount Ass'y.	242D5201	Pump Plunger
201-172	Direction Disc.	407-6491	Valve Wheel
201-2181	Gas Tip (Marked TD)	426-426	Frame Nut
201-2381	Needle, Generator	530A5071	Pump Cap Clip
201-3241	Burner Tube	605-210	Jamb Nut
201-3701	Burner Ass'y.	690A051	(550) Clear Pyrex Globe
201-4851	Ventilator	690-066	(550A) Amber Pyrex Globe (Accessory)
201-5101	Preheater Cup		
201-5291	Base Rest		
201-5511	Alcohol Bottle		
201-5891	Generator		
201-6531	Valve Stem Ass'y.		
201-6571	Fuel Valve (Complete)		
202-3531	Tip Cleaner Stem		
203-441	Ball Nut		
216-5091	Pump Cup		

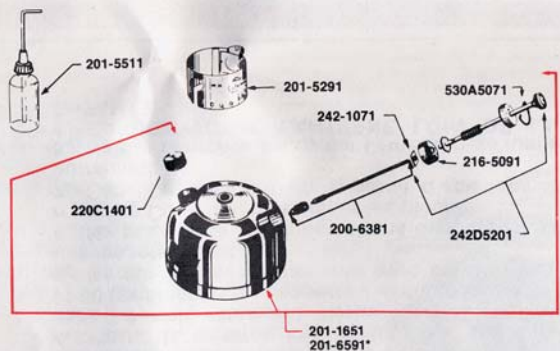
*For Model 201-720
200-6491 Valve Wheel, Red
200B4841 Ventilator, Red
201-6591 Fount, Nickel Plated



SEE DETAIL "A"



SEE DETAIL "B"



Coleman Lantern Accessories



LANTERN HANGER, 220-720, for use with any bail handle lantern.



FILTERING FUNNEL, 199B1111, aluminum with strainer and filtering fabric. Removes water, dirt, impurities from fuel. Replacement Filter 199-1091.

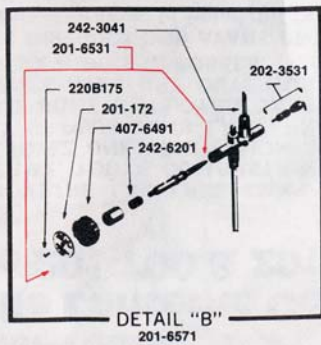
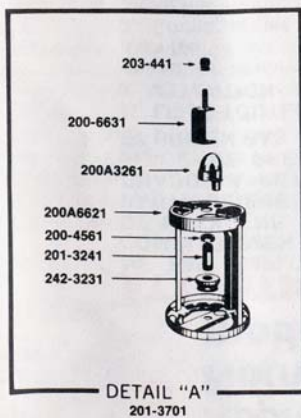
Other Coleman Products

COLEMAN SNOW-LITE™ COOLERS. Modern living demands modern proportions. Voted exactly right by thousands of discriminating customers. Insulated with urethane foam and featuring new recessed chrome-plated handles. Cam-type latch with protective shield locks with a twist of the wrist, can't be locked accidentally. Rugged Snow-Lite used in a seamless interior and rust-proof base.



MODEL 513A708 CATALYTIC HEATER. Here's the safe way to provide comfortable heat in tents, trailers, campers, duckblinds, ice fishing huts and hundreds of other areas where heat is needed. Two different models, ranging from 3,000 to 8,000 BTU's approximate input. Lets you increase or decrease heat as needed.

MODEL 413G499 CAMP STOVE. Join the fun! Select your favorite model and enjoy delicious food everywhere—and for less cost than restaurant meals. Coleman Camp Stoves fold like a suitcase, cook like a range, and cook meals for days on a tank of Coleman fuel. Available in two- or three-burner models. Also available, Coleman Camp Oven: lets you bake to perfection anywhere, and Teflon Griddle for stove-top artistry.



WARNING:

THIS APPLIANCE CONSUMES OXYGEN. PROVIDE AMPLE VENTILATION. ADDITIONAL VENTILATION MUST BE PROVIDED FOR PERSONS AND OTHER FUEL BURNING APPLIANCES OCCUPYING THE SAME ENCLOSED AREA.

Cautions:

- 1. READ THESE INSTRUCTIONS CAREFULLY.**
2. Never loosen or remove fuel cap while lantern is lighted or near open flame, (including pilot lights), or while top of lantern is hot to the touch.
3. Store fuel in a clean, properly marked, closed metal container away from open flame, (including pilot lights) or excessive heat.
4. Never allow tents, sleeping bags, clothing or other combustible materials to come within two feet of the top and one foot on all sides of the lantern.
5. Do not operate lantern if mantle has a hole in it.
6. Do not use any device or part not expressly approved by The Coleman Company, Inc.
7. This lantern is designed as a lighting device only. Do not use in any manner not expressly approved by The Coleman Company, Inc. (such as cover with a bucket.)
8. Do not adjust light output with cleaning lever.
- 9. KEEP OUT OF THE REACH OF CHILDREN.**

Things You Should Know:

- 1.** The length of service you get from your lantern and generator depends greatly upon the cleanliness of the fuel you use. Always use clean, fresh white kerosene. Store your kerosene in a clean closed metal can that is air-tight and leak-proof.
- 2.** Carry spare Coleman mantle.
- 3.** If lantern is stored, refill annually with fresh fuel.
- 4.** Oil pump leather periodically to keep it soft and pliable.
- 5.** If necessary to write the service center or the factory, refer to your lantern as a model 201. If you mail the lantern, send it without glass and ventilator to avoid breakage.
- 6.** If lantern fails to operate satisfactorily, refer to directory packaged with product for list of Coleman service centers.